

DTA

APPROVED DIGITAL CRANE SCALE

LAUMAS®



CE-M certificate: 2014/31/EU, EN 45501, OIML R76 class III, legal for trade use with CE marking and conformity assessment (initial verification).
Compliant to machinery directive 2006/42/EC and EN 13155.

Capacity up to 12000 kg

DESCRIPTION

- Approved die-cast aluminum crane scale complete with upper shackle and lower swivel hook; suitable for bridge crane.
- 6-digit backlit LCD display (30 mm height).
- IP65 protection rating.
- 7.4 V rechargeable internal battery, 5200 mAh capacity.
- Operating time: 60 hours.
- Power supply included 12 VDC/2500 mA - input 100÷240 VAC.
- Remote control with range up to 20 m line of sight.

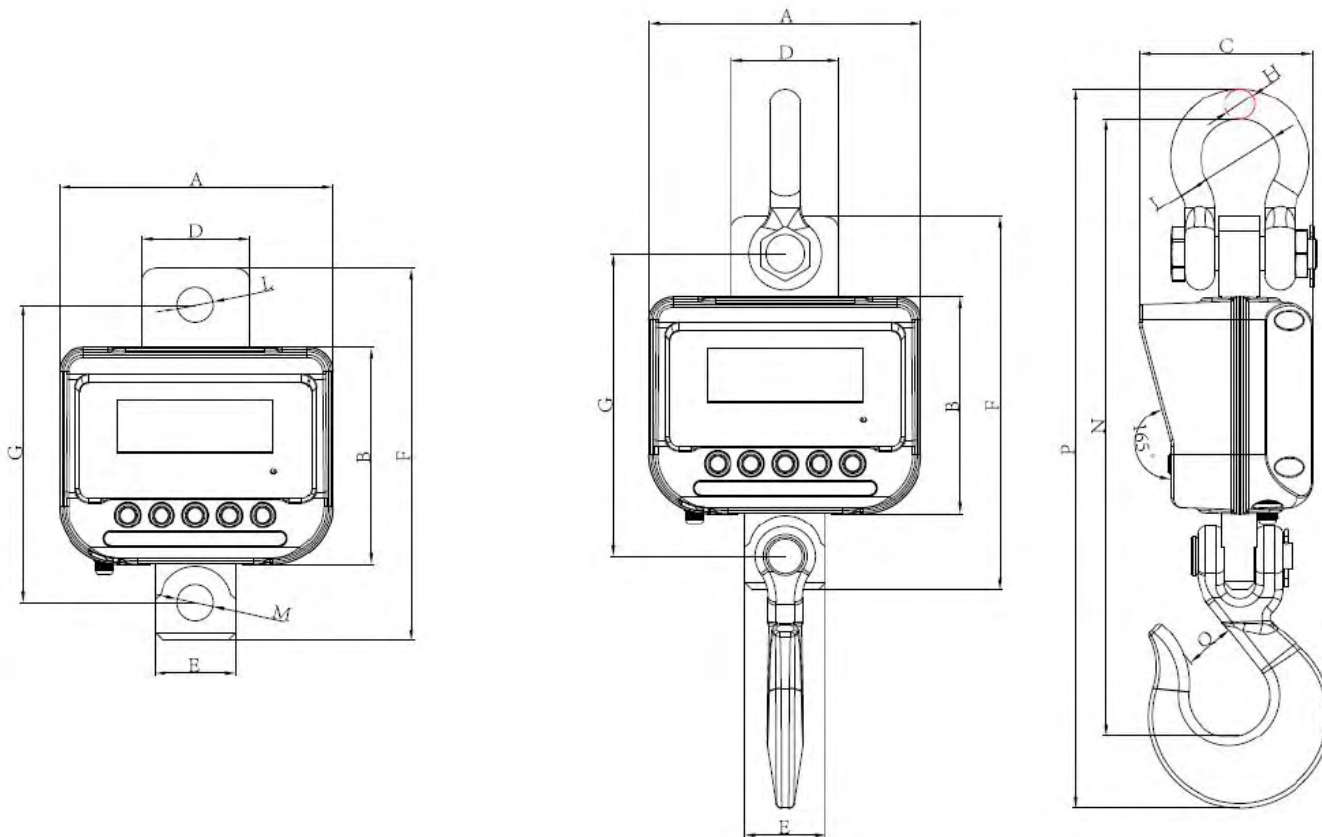
MAIN FUNCTIONS

- Semi-automatic tare (net/gross weight).
- Weight zero setting.
- Tare weight zero setting.
- High resolution visualization.
- Remote control functions: high resolution, zero, net weight, stand-by.
- Energy saving mode.



CAPACITY	kg	OIML R76	DIVISION (kg)	NET WEIGHT (kg)	CODE
600		•	e=0.2	8.5	DTA600
1500		•	e=0.5	8.5	DTA1.5T
3000		•	e=1	9.9	DTA3T
6000		•	e=2	17	DTA6T
12000		•	e=5	20	DTA12T

DIMENSIONS (mm)



Mod.	A	B	C	D	E	F	G	ØH	ØJ	ØL	ØM	N	P	Q
DTA600	201	160	128.5	80	60	270	219	19	50.8	23	23	415	477	42.9
DTA1.5T	201	160	128.5	80	60	270	219	19	50.8	23	23	415	477	42.9
DTA3T	201	160	128.5	80	60	275	219.5	22	58	26.5	26.5	456	532	50.8
DTA6T	201	160	128.5	95	80	320	248	25.4	68.3	30	30	528	624	63.5
DTA12T	201	160	128.5	95	80	330	247.5	31.8	82.5	36	36	557	660	63.5

TECHNICAL FEATURES

Working load limit without releasing the load (% of full scale)	300%
Safe overload (% of full scale)	200%
Working temperature	-10°C +40°C